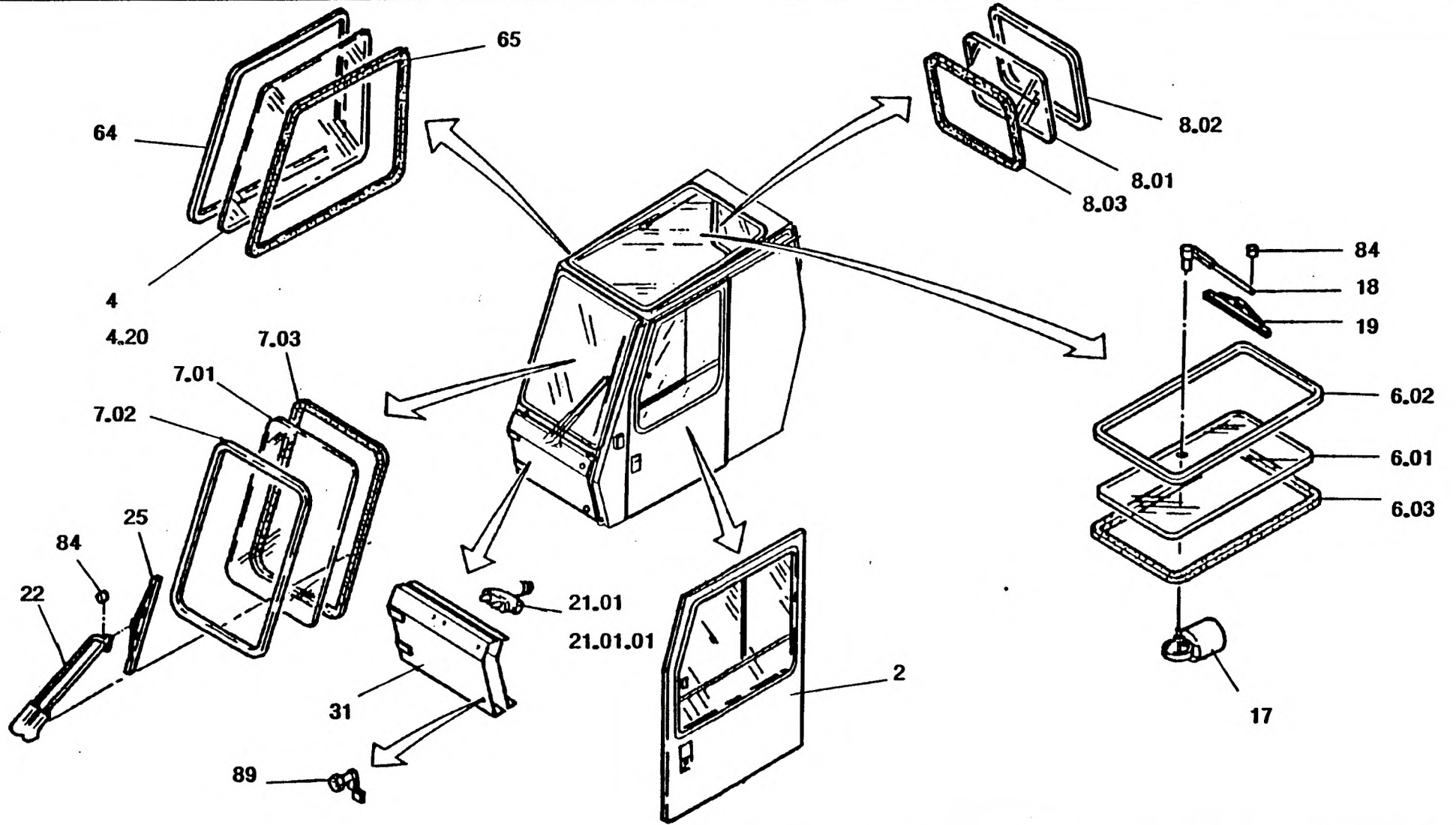




KRANKABINE  
CRANE CABIN

BILDTADEL PICTORIAL DISPLAY ILLUSTRATION			KMK 2025
05.91	2229168-ETL	1/2	G 236





KRANKABINE  
CRANE CABIN

BILDТАФЕЛ  
PICTORIAL DISPLAY  
ILLUSTRATION

KMK 2025

05.91

2229168-ETL

2/2

G 236

